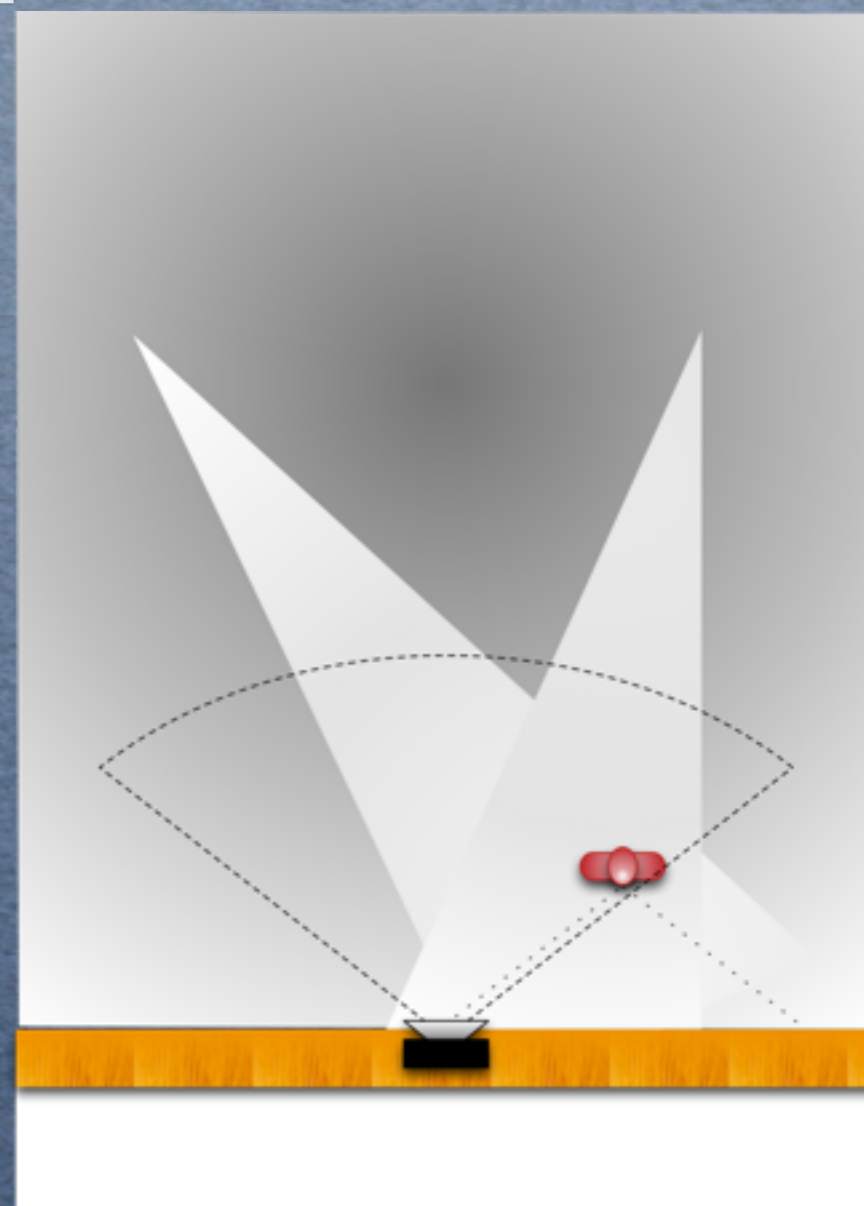
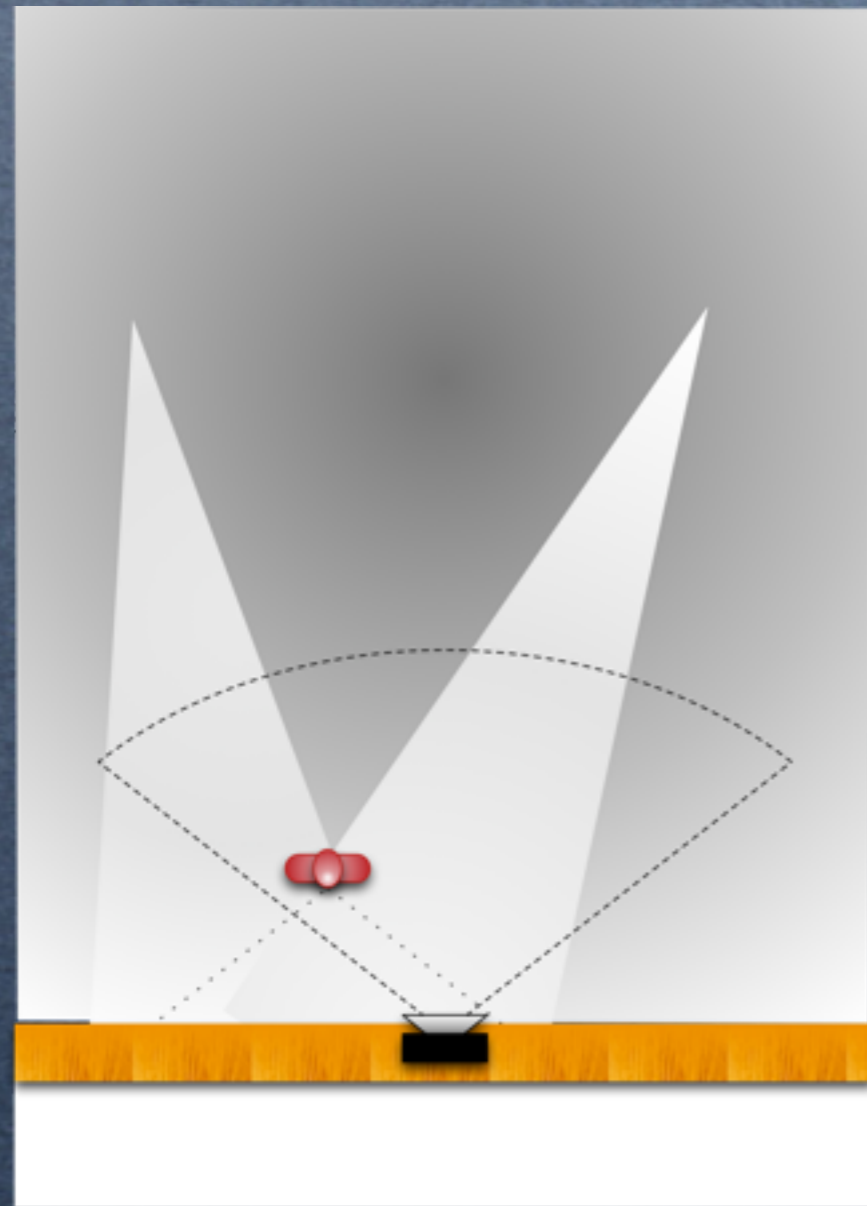


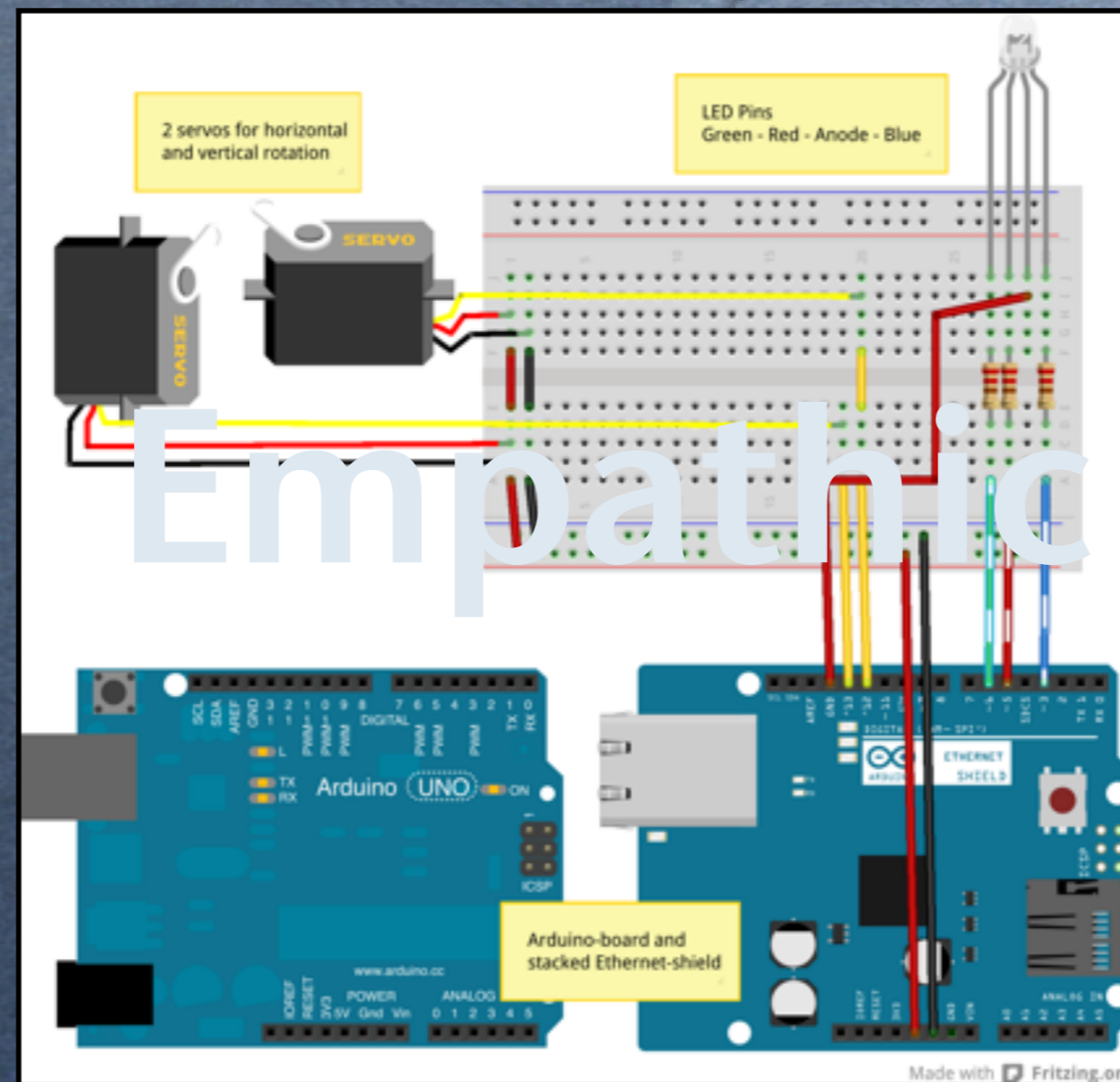
Empathic Lights

Responsive and flexible lights

Principle



Layout of the board



User interface

